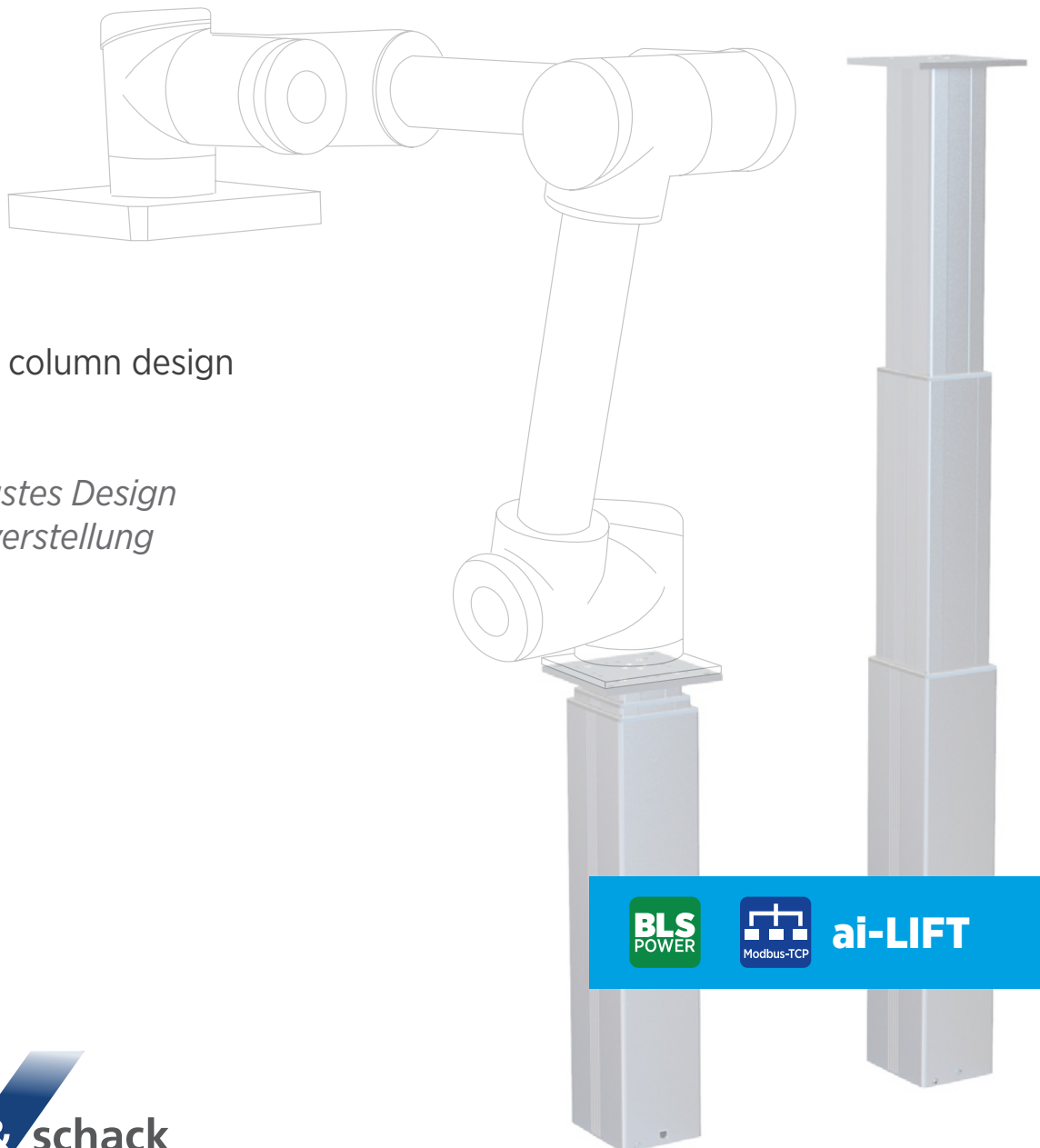


ai LIFT



Smart and robust column design
for cobot lifting

*Smartes und robustes Design
für Cobot-Höhenverstellung*



ai-LIFT

ai-LIFT

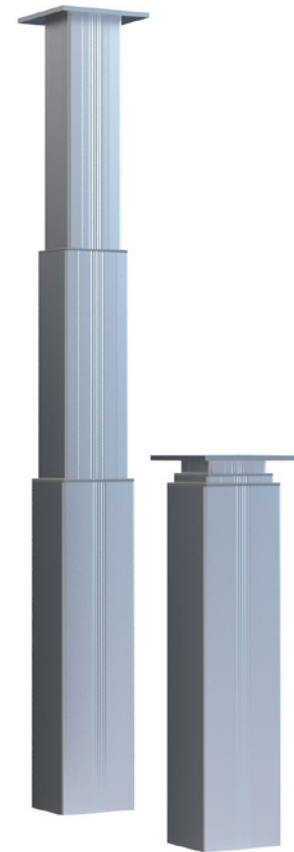
Massive design to avoid Cobot vibration
 Able to stand offset loads
 Powerful Brushless motor
 Maintenance Free

Massives Design um Vibrationen durch die Cobotbewegung zu vermeiden

Stabil, um exzentrische Lasten und Momente aufzunehmen

Starker bürstenloser Motor (BLDC)

Wartungsfrei



Hardware interface compatible with main cobot's brand
Mechanische Schnittstellen sind kompatibel zu den führenden Cobots am Markt

Features Technische Merkmale	
INPUT Voltage Eingangsspannung	24V
Communication Kommunikation	ModBus TCP/IP
Max dynamic push load Max dynamische Druckkraft	850 / 1.700 N
Max static load Max statische Kraft	3.000 / 6.000 N
Max dynamic off-side load Max dynamische seitliches Momen	450N at 800mm
Max linear speed Max lineare Geschwindigkeit	80 / 40 mm/sec
Position/repeatability Wiederholgenauigkeit	± 1,0 mm
Stroke Hublängen	500 ÷ 1.000 mm (specials on request) 500 ÷ 1.000 mm (Sonderhublängen auf Anfrage)
Duty cycle Einschaltdauer	10% (20% at 500N) 10% (20% bei 500N Last)

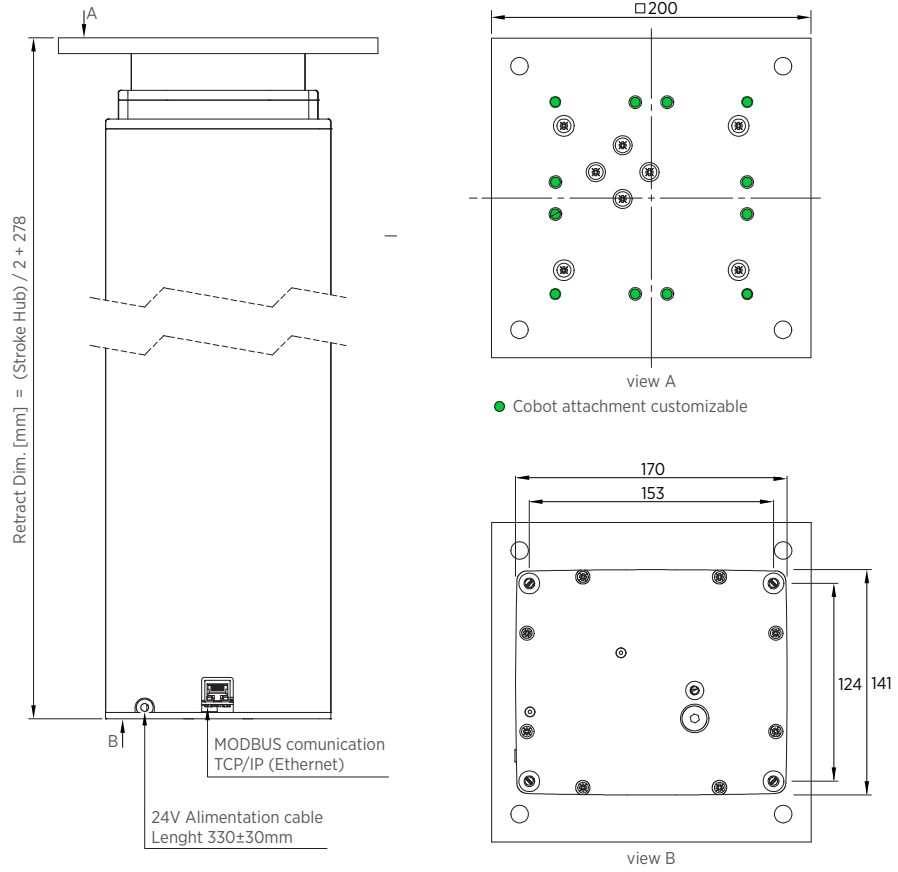


ModBus TCP built-in design for a direct communication with cobot
Integriertes ModBus TCP Design für eine direkte Kommunikation mit der Cobotsteuerung

Extremely clean design, no external box needed
Sehr klares Design, keine zusätzlichen Anbauten erforderlich

Brushless driver built-in
Integrierter bürstenloser Antrieb

Profiles dimensions | Profilgröße



AMER Group

Amer Group is a global reality with **7 production units** in Nord Italia, Switzerland and Germany, and **3 commercial**, distributive and after-sales subsidiaries in the world, perfectly integrated between them.

A network that has been growing for 40 years, thanks to our obstinacy, small daily improvements, and above all to the strategic choice of reinvesting profits in research and development and infrastructures. Our integrated custom solutions, such as generators, electronic control systems, DC motors, traction and linear motion systems, are the result of the attention to the needs of our global partners. Thanks to them, and to a harmonious team in line with the group's vision, we have become an important player and a point of reference worldwide.

BAUMEISTER & SCHACK

Developments for the automotive and medical market was the start of our journey in 1980. Together with new customers we developed linear actuators and telescopic columns for various applications. Step by step we were able to form a nice and wide portfolio of products which can be integrated to different markets.

Our passion to adapt in a quick and flexible way our existing products to the special needs of our partners leads to an innovative company specialized for tailor made solutions. Our focused market are the Industrial and the Medical sector.

In 2020 we entered into the Amer Group following the wish and desire to be part of something bigger.

Now we are the Amer footprint in Germany, prepared to follow the market needs of tomorrow.



baumeister & schack

Baumeister & Schack GmbH & Co. KG

Mühlsteigstraße 6, D | 72336 Balingen-Engstlatt | Germany

P +49 (0)7433 / 1456-12 | F +49 (0)7433 / 1456-50 | info@baumeister-schack.de | baumeister-schack.de



amergroup.it